



OPTIFLUX 6000 Technical Datasheet

Electromagnetic Flow Sensor

- Stainless steel design for hygienic and aseptic operation with unique gasket concept
- Suitable for all CIP and SIP processes
- All industry-specific connectors and lengths



Sanitary and hygienic solution

The **OPTIFLUX 6000** is the electromagnetic flow sensor for the food and beverage industry. The 6000 sensor is manufactured in conformance to FDA requirements and has all requested (needed) approvals available. As an add on, a EHEDG approval is available and documents the hygienic design and the clean ability of the device.

Together with the converters IFC 300 or IFC 100, the meter can be used for mixing and dosing applications. It offers also a special measuring mode for pulsating flow. Even for products with low conductivity e. g. glucose or high concentrated fruit concentrate the **OPTIFLUX 6000** is the first choice.

Due to the fact that the industrial production of beer, water and milk increases rapidly, the produced volume gets larger and larger pipe sizes are needed. The **OPTIFLUX 6000** is the only hygienic electro magnetic flow meter with a pipe size of DN150 / 6" (where the hygienic standards list such a size).



Highlights

- Developed in cooperation with customers from the food industry
- Stainless steel design for hygienic and aseptic operation
- Unique gasket concept prevents gasket from expanding into measuring tube
- Suitable for all CIP and SIP processes
- All industry-specific connectors and lengths
- High form stability and vacuum resistance

Industries

- Food & Beverages
- Pharmaceuticals
- Cosmetics

Applications

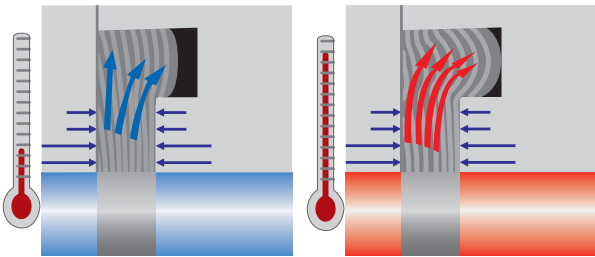
- For aseptic and hygienic applications
- Mixing, dosing and filling
- For pulsating flow

Features and Benefits



Stainless Steel Mesh

The reinforced PFA liner makes sure that the **OPTIFLUX 6000** keep his form stable. Even at high temperatures and very low pressure or vacuum the liner does not collapse and keeps his size. This is one point why the meter is extremely accurate.



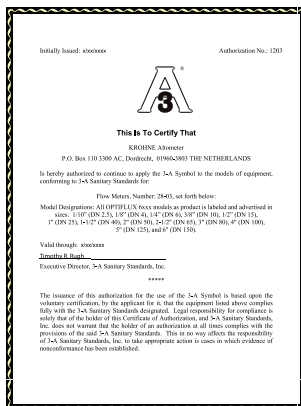
Unique Gasket Adapter Concept

With support of the TNO, a member of the European EHEDG organisation, the sealing concept of the stainless steel adapters has been redesigned. A novel gasket concept prevents the gasket from expanding into the measuring tube. During the CIP/ SIP cleaning procedure, the gasket expands into the special constructed “expansion chamber” and not into the pipe section. This leads to a sharp sealing at the edge of the pipe line and a perfect transition into the measuring section. Additionally the gasket experiences less stress which results in a longer life time and reduced maintenance.



Stainless Steel converter housing

A regular cleaning procedure from outside, where aggressive cleaning agents are used, can attack the standard polyurethane coat of the converter. In these cases the cast stainless steel housing is recommended.



EHEDG and 3A approved

The **OPTIFLUX 6000** is approved from EHEDG and 3A. The hygienic design of the meter and the clean ability of the equipment was tested. Such tests identify weak points in the hygienic design, including places where product residues may rest or where microbes may grow out during production time.

Technical Data

Nominal diameter													
[inch]	1/10"	1/8"	1/4"	3/8"	1/2"	1"	1 1/2"	2"	2 1/2"	3"	4"	5"	6"
[mm]	2.5	4	6	10	15	25	40	50	65	80	100	125	150

Measuring system

Versions													
Compact + IFC 300 C													
Remote + IFC 300 F, R, W													
Compact + IFC 100 C													
Remote + IFC 100 W													
Inlet	Min. 5DN												
Outlet	Min. 2DN												

Operating conditions

Ambient temperature	
Separate flow sensor	-40...+65°C / -40...+150°F
Compact version	-40...+65°C / -40...+150°F
Process temperature	
Separate flow sensor	-40...+180°C / -40...+355°F
Compact version	IFC 300: -40...+140°C / -40...+285°F IFC 100: -40...+120°C / -40...+250°F
Vacuum load	
0 mbar/ 0 psi absolute	
Conductivity	
Non-water	≥ 5 µS/cm
Water	≥ 20 µS/cm

Materials

Measuring tube													
Stainless steel 1.4301 (AISI 304)													
Housing													
Stainless steel 1.4462 (Duplex)													
Stainless steel 1.4301 (AISI 304)													
Connection box (F-versions only)													
Aluminum, polyurethane coated													
Stainless steel 1.4408 (AISI)													
Adapters													
Stainless steel 1.4404 (AISI 316 L)													
Note: other materials on request.													

Nominal diameter														
[inch]	1/10"	1/8"	1/4"	3/8"	1/2"	1"	1 1/2"	2"	2 1/2"	3"	4"	5"	6"	
[mm]	2.5	4	6	10	15	25	40	50	65	80	100	125	150	
Liner														
PFA (FDA conform)														
Electrodes														
Hastelloy C4														
Hastelloy B2														
Platinum														
Stainless steel 1.4404 (AISI 316 L)														
Stainless steel 1.4571 (AISI 316 Ti)														
Tantalum														
Titanium														
Gaskets														
EPDM														
Silicone (non-Ex only)														
Note: FDA recommends EPDM gaskets only if product < 8% fat.														

Process connections

DIN 11850 row 2 / 11866 row A														
DIN 11851														
DIN 11864-2a flange with notch														
DIN 32676														
ISO 2037														
ISO 2852														
ISO 2853														
SMS 1145														
TRI CLOVER														
Note: DN2.5...6 (1/10...1/4") have DN10 (3/8") connections.														

Nominal diameter													
[inch]	1/10"	1/8"	1/4"	3/8"	1/2"	1"	1 1/2"	2"	2 1/2"	3"	4"	5"	6"
[mm]	2.5	4	6	10	15	25	40	50	65	80	100	125	150

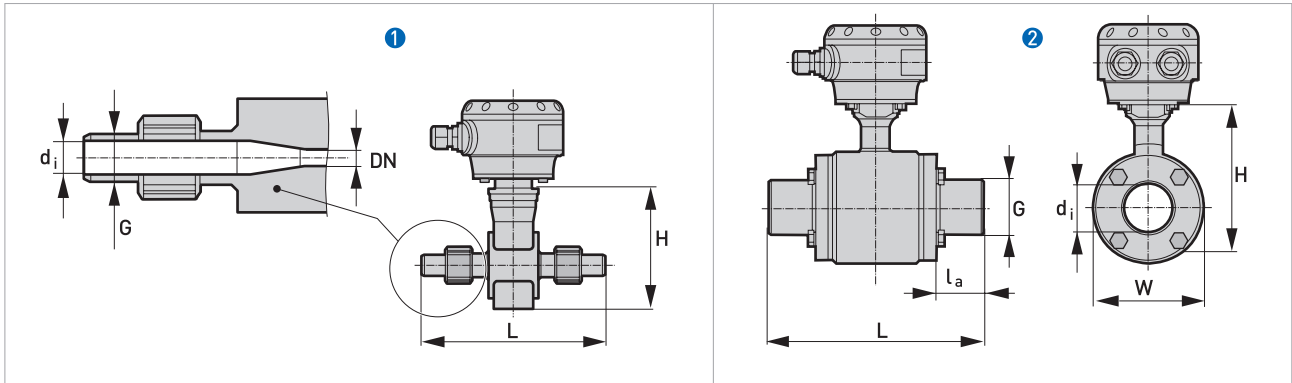
Approvals

3A	■												
EHEDG	■												
Non-Ex	■												
EEx zone 1 / 2	■												
FM - class I div. 2	■												
CSA - GP / class I div. 2	■												
SAA - Aus Ex zone 1 / 2	■												
TIIS - zone 1 / 2	■												
Protection category													
IP 66 / 67 eq. NEMA 4/4X / 6	■												
IP 68 field eq. NEMA 6P	■												
IP 68 factory eq. NEMA 6P	■												

■ standard ■ optional □ on request

Dimensions and Weights

DIN 11850 (row 2 or DIN 11866 row A)

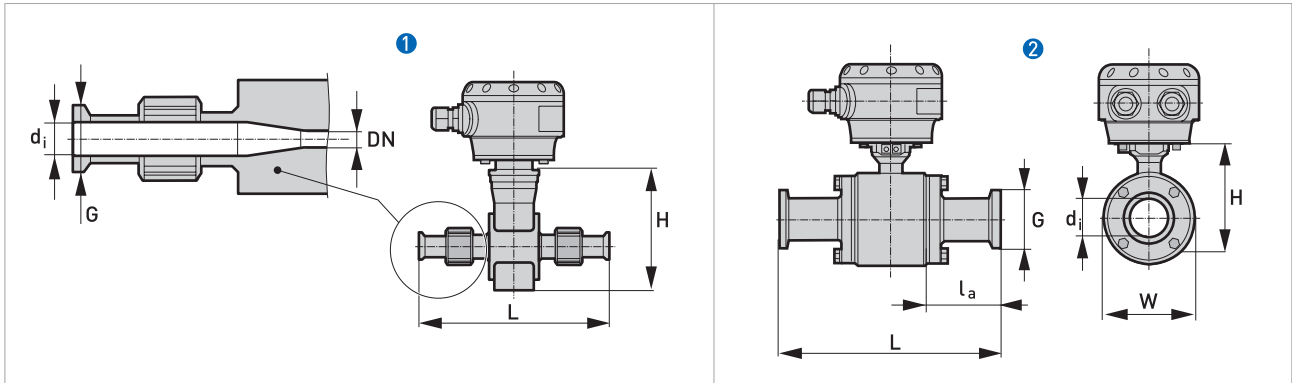


- ① DN2.5...10 screwed adapter with DN10 process connections / DN15 screwed adapter
- ② DN25...150 bolted adapter

Nominal size		Dimensions [mm]							Approx. weight	
		Adapter			Flowmeter					
DN	PN	d_i	G	l_a	L	H	W	[kg]	[lbs]	
2.5	40	10	13	32	180	142	44	1,5	3.3	
4	40	10	13	32	180	142	44	1.5	3.3	
6	40	10	13	32	180	142	44	1.5	3.3	
10	40	10	13	32	180	142	44	1.5	3.3	
15	40	16	19	32	180	142	44	1.5	3.3	
25	40	26	29	20.6	132,6	128	89	3	6.6	
40	40	38	41	61.3	220	153	114	5.3	11.7	
50	25	50	53	61.3	220	153	114	6.8	15	
65	25	66	70	41.8	220	180	141	10.9	24	
80	25	81	85	66.8	280	191	152	11.2	24.7	
100	16	100	104	59.3	280	242	203	18.4	40.6	
125	10	125	129	66.3	319	258	219	29.5	65.0	
150	10	150	154	64.3	325	293	254	44.3	97.7	

Dimensions and Weights

DIN 11851

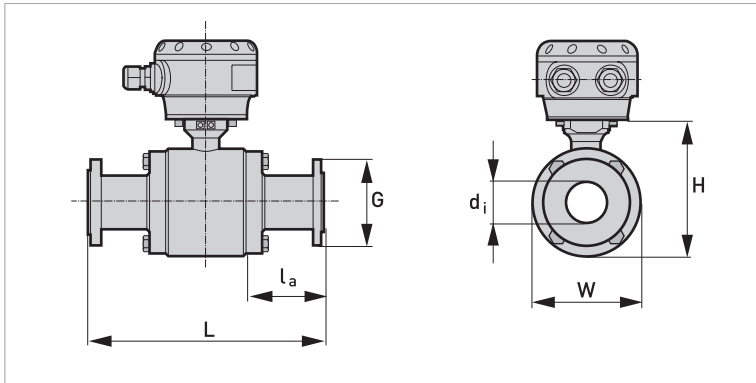


- ❶ DN2.5...10 screwed adapter with DN10 process connections / DN15 screwed adapter
- ❷ DN25...150 bolted adapter

Nominal size		Dimensions [mm]						Approx. weight	
		Adapter			Flowmeter				
DN	PN	d _i	G	l _a	L	H	W	[kg]	[lbs]
2.5	40	10	Rd 28 x 1/8"	53.1	214	142	44	1.5	3.3
4	40	10	Rd 28 x 1/8"	53.1	214	142	44	1.5	3.3
6	40	10	Rd 28 x 1/8"	53.1	214	142	44	1.5	3.3
10	40	10	Rd 28 x 1/8"	53.1	214	142	44	1.5	3.3
15	40	16	Rd 34 x 1/8"	53.1	214	142	44	1.5	3.3
25	40	26	Rd 52 x 1/6"	49.3	190	128	89	3.2	7.1
40	40	38	Rd 65 x 1/6"	91.3	280	153	114	5.5	12.1
50	25	50	Rd 78 x 1/6"	93.3	284	153	114	5.3	11.7
65	25	66	Rd 95 x 1/6"	77.8	292	180	141	10	22.1
80	25	81	Rd 110 x 1/4"	107.8	362	191	152	12.5	27.6
100	16	100	Rd 130 x 1/4"	109.3	380	242	203	21.8	48.1
125	10	On request.							
150	10	On request.							

Dimensions and Weights

DIN 11864-2A



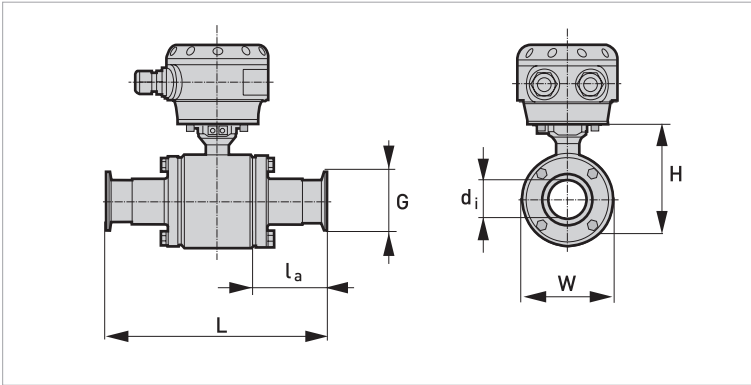
Nominal size		Dimensions [mm]						Approx. weight	
		Adapter		Flowmeter					
DN	PN	d _i	G	l _a	L	H	W	[kg]	[lbs]
25	40	26	70	45.8	183	128	89	4.4	9.7
40	40	38	82	83.3	264	153	114	7.5	16.5
50	25	50	94	83.3	264	153	114	9	19.8
65	25	66	113	63.8	264	180	141	14.5	32
80	25	81	133	122.8	392	191	152	18.6	41
100	16	100	159	115.3	392	242	203	28.2	62.2
125	10	On request.							
150	10	On request.							

Note:

Meter supplied with flange with notch.

Dimensions and Weights

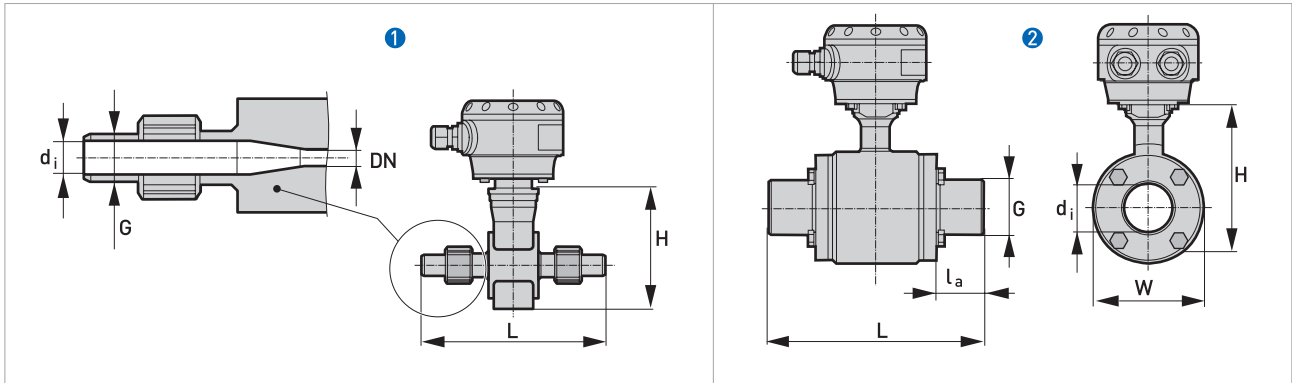
DIN 32676



Nominal size		Dimensions [mm]						Approx. weight	
		Adapter			Flowmeter				
DN	PN	d _i	G	l _a	L	H	W	[kg]	[lbs]
25	16	26	50.5	41.8	190	128	89	3.2	7.1
40	16	38	50.5	80.8	280	153	114	5.5	12.1
50	16	50	64	80.8	284	153	114	5.3	11.7
65	16	66	91	67.8	292	180	141	10	22.1
80	16	81	106	92.8	362	191	152	12.5	27.6
100	16	100	119	85.3	380	242	203	21.8	48.1

Dimensions and Weights

ISO 2037

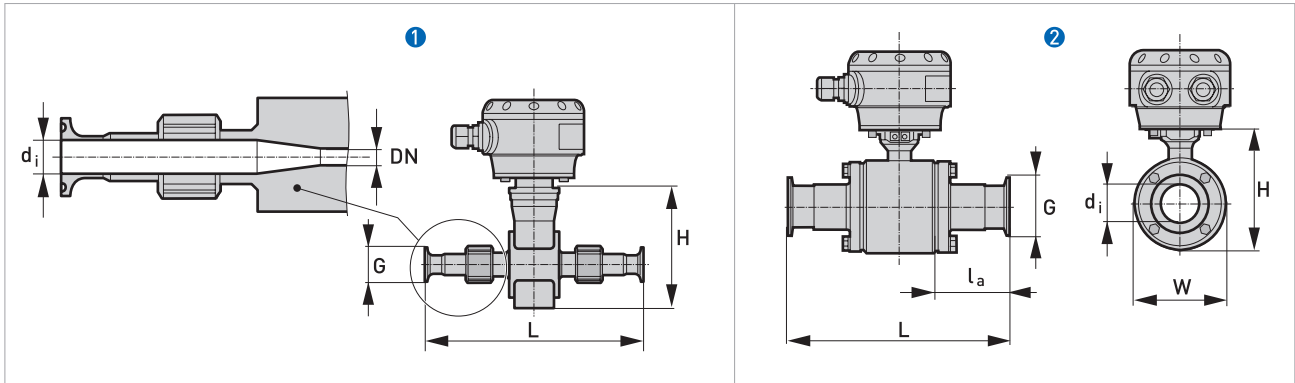


- ① DN2.5...10 screwed adapter with DN10 process connections / DN17.2 screwed adapter
- ② DN25...150 bolted adapter

Nominal size		Dimensions [mm]						Approx. weights	
		Adapter			Flowmeter				
DN	PN	d_i	G	l_a	L	H	W	[kg]	[lbs]
2.5	40	10	12	32	180	142	44	1.5	3.3
4	40	10	12	32	180	142	44	1.5	3.3
6	40	10	12	32	180	142	44	1.5	3.3
12	40	10	12	32	180	142	44	1.5	3.3
17.2	40	16	17.2	32	180	142	44	1.5	3.3
25	40	22.6	25	20.6	132.6	128	89	3	6.6
38	40	38	38	61.3	220	153	114	5.3	11.7
51	25	49	51	61.3	220	153	114	5	11
63.5	25	60.3	63.5	41.8	220	180	141	9	19.8
76.1	25	72.9	76.1	66.8	280	191	152	10.8	23.8
101.6	16	97.6	101.6	59.3	280	242	203	18.4	40.6
114.3	10	110.3	114.3	66.3	319	258	219	29.5	65.0
139.3	10	135.7	139.3	64.3	325	293	254	44.3	97.7

Dimensions and Weights

ISO 2852

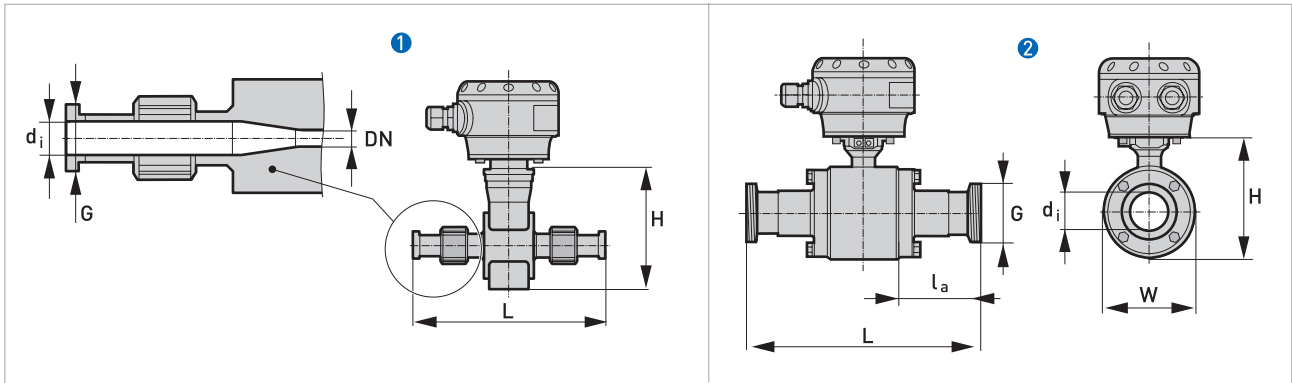


- ❶ DN2.5...10 screwed adapter with DN10 process connections / DN17.2 screwed adapter
- ❷ DN25...150 bolted adapter

Nominal size		Dimensions [mm]						Approx. weight	
		Adapter			Flowmeter				
DN	PN	d _i	G	l _a	L	H	W	[kg]	[lbs]
2.5	16	10	34	51.6	219	142	44	1.8	4.0
4	16	10	34	51.6	219	142	44	1.8	4.0
6	16	10	34	51.6	219	142	44	1.8	4.0
10	16	10	34	51.6	219	142	44	1.8	4.0
17.2	16	16	34	51.6	219	142	44	1.8	4.0
25	16	22.6	50,5	41.8	175	128	89	3.3	7.3
38	16	35.6	50,5	87.8	273	153	114	5.4	11.9
50	16	48.6	64	87.8	273	153	114	5.2	11.5
63.5	10	60.3	77.5	68.3	273	180	141	9.5	20.9
71.1	10	72.9	91	93.3	333	191	152	11.2	24.7
101.6	8	97.6	119	85.8	333	242	203	19.1	42.1
125	5	On request.							
150	5	On request.							

Dimensions and Weights

ISO 2853

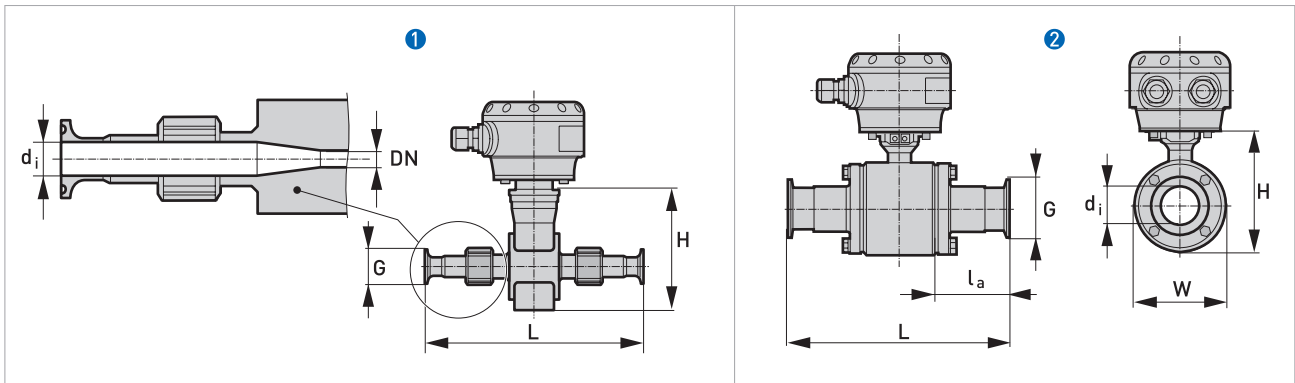


- 1 DN2.5...10 screwed adapter with DN10 process connections / DN15 screwed adapter
- 2 DN25...150 bolted adapter

Nominal size		Dimensions [mm]						Approx. weight	
		Adapter			Flowmeter				
DN	PN	d _i	G	l _a	L	H	W	[kg]	[lbs]
2.5	40	10	Rd 22.8 x 1/8"	53	226	142	44	3.1	6.8
4	40	10	Rd 22.8 x 1/8"	53	226	142	44	3.1	6.8
6	40	10	Rd 22.8 x 1/8"	53	226	142	44	3.1	6.8
10	40	10	Rd 22.8 x 1/8"	53	226	142	44	3.1	6.8
15	40	16	Rd 22.8 x 1/8"	53	226	142	44	3.1	6.8
25	40	22.6	Rd 37.1 x 1/8"	45	226	131	80	4.4	9.7
38	40	35.6	Rd 50.6 x 1/8"	49.5	253	149	98	6.1	13.5
51	25	48.6	Rd 64.1 x 1/8"	51.5	263	181	130	7.6	16.8
63.5	25	60.3	Rd 77.6 x 1/8"	50.5	309	206	156	11.7	25.8
76.1	25	72.9	Rd 91.1 x 1/8"	50.5	309	206	156	12	26.5

Dimensions and Weights

TRI-Clover

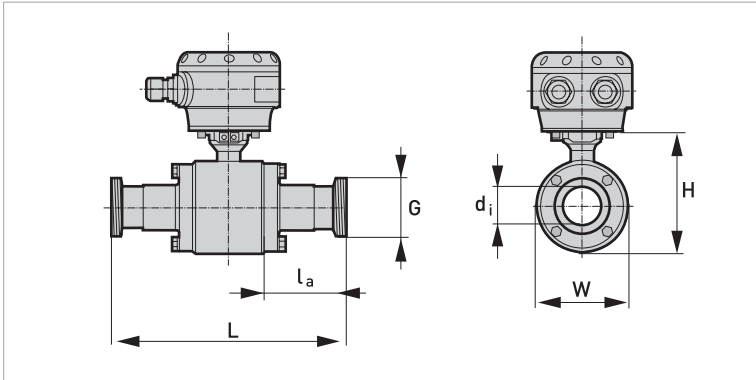


- 1 DN½...¾ screwed adapter
- 2 DN1...4" bolted adapter

Nominal size		Dimensions [inch]						Approx. weight	
		Adapter			Flowmeter				
DN	PN	di	G	la	L	H	W	[kg]	[lbs]
½"	290	0.37	0.98	1.97	8.5	5.59	1.73	1.5	3.3
¾"	290	0.62	0.98	1.97	8.5	5.59	1.73	1.5	3.3
1"	290	0.85	1.98	1.02	7.48	5.04	3.5	3.2	7.1
1½"	290	1.35	1.98	3.46	11.02	6.02	4.49	5.5	12.1
2"	290	1.85	2.52	3.46	11.18	6.02	4.49	5.3	11.7
2½"	290	2.35	3.05	2.69	11.5	7.09	5.55	10	22.1
3"	290	2.85	3.54	3.68	14.25	7.52	5.98	12.5	27.6
4"	174	3.83	4.68	3.38	14.96	9.53	7.99	21.8	48.1

Dimensions and Weights

SMS 1145 Adapter

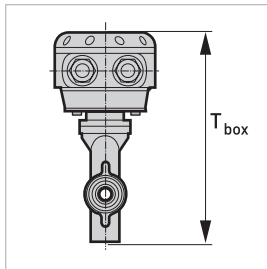


Nominal size		Dimensions [mm]						Approx. weight	
		Adapter			Flowmeter				
DN	PN	di	G	la	L	H	W	[kg]	[lbs]
25	6	22.6	Rd 40-6	28.1	147.6	128	89	3.2	7.1
38	6	35.5	Rd 60-6	54	262	153	114	5.7	12.6
51	6	48.6	Rd 70-6	84.3	266	153	114	5.4	11.9
63.5	6	60.3	Rd 85-6	69.8	276	180	141	9.9	21.8
76	6	72.9	Rd 98-6	99.8	346	191	152	12.1	26.7
100	6	97.6	Rd 132-6	44	336	242	203	21.9	48.3

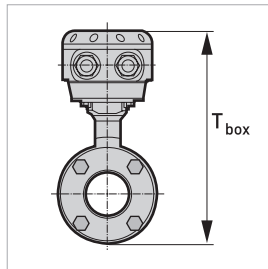
Dimensions for different housing versions

Remote version connection box

DN2.5 ... 15

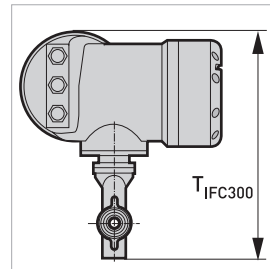


DN25 ... 150

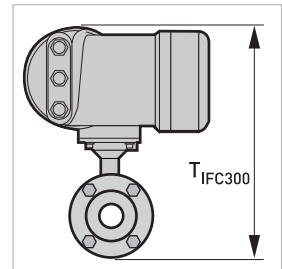


Compact version IFC 300

DN2.5 ... 15

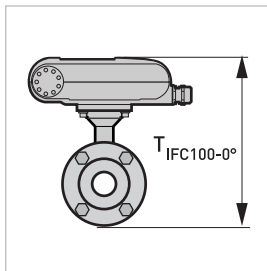


DN25 ... 150

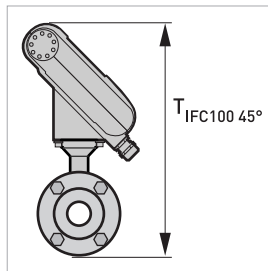


Compact version IFC 100

IFC 100 - 0° version

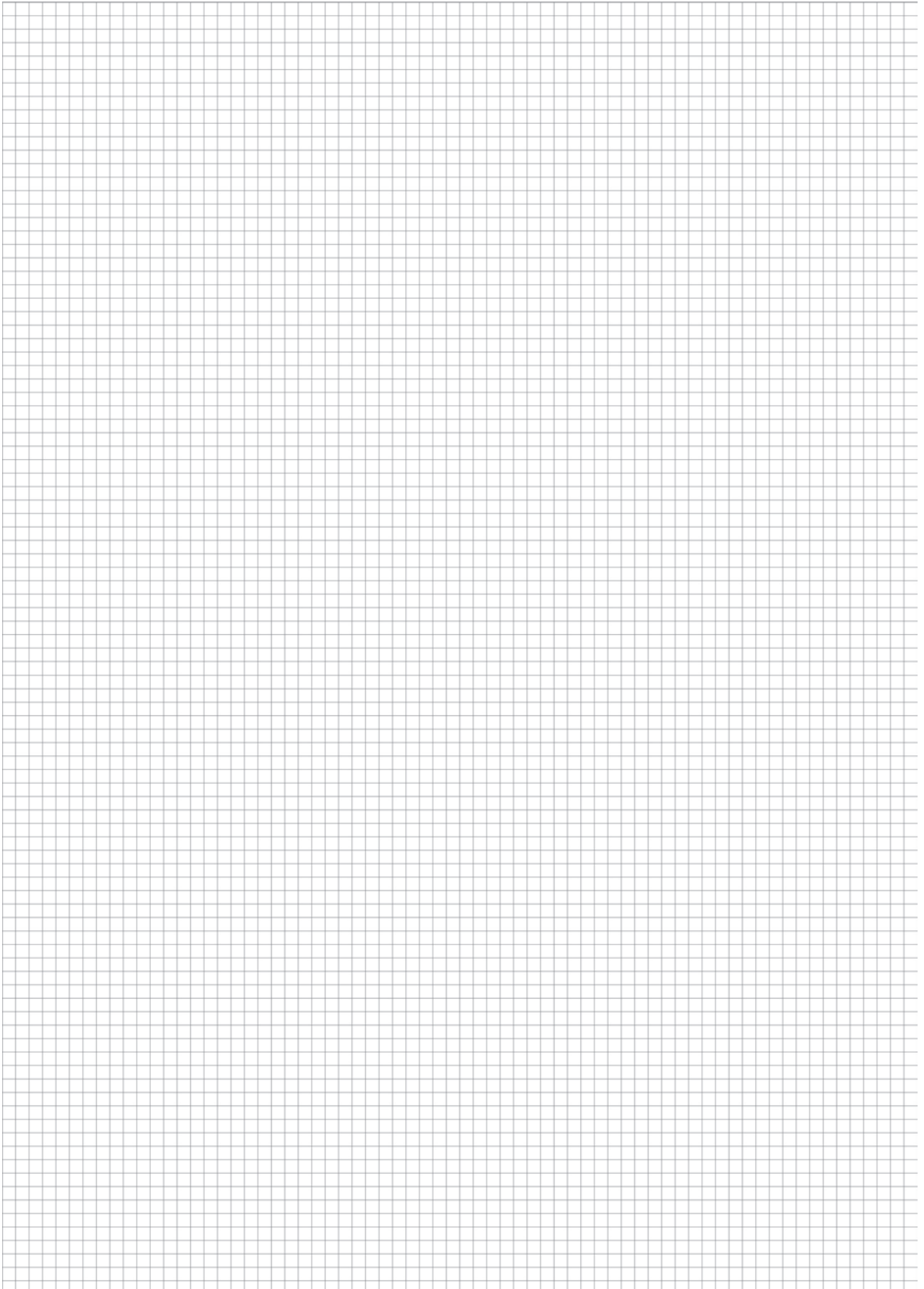


IFC 100 - 45° version



Nominal size		Dimensions [mm]				Dimensions [inch]			
DN	PN	T _{box}	T _{IFC100-0°}	T _{IFC100-45°}	T _{IFC300}	T _{box}	T _{IFC100-0°}	T _{IFC100-45°}	T _{IFC300}
2.5	40	200	205	309	302	7.87	8.07	12.17	10.94
4	40	200	205	309	302	7.87	8.07	12.17	10.94
6	40	200	205	309	302	7.87	8.07	12.17	10.94
10	40	200	205	309	302	7.87	8.07	12.17	10.94
15	40	200	205	309	302	7.87	8.07	12.17	10.94
25	40	205	210	314	283	8.08	8.28	12.36	11.14
40	40	230	235	339	308	9.05	9.25	13.35	12.13
50	25	230	235	339	308	9.05	9.25	13.35	12.13
65	25	257	262	366	335	10.11	10.31	14.41	13.19
80	25	268	273	377	346	10.55	10.75	14.84	13.62
100	16	319	324	428	397	12.56	12.76	16.85	15.63
125	10	335	340	444	413	13.19	13.39	17.48	16.26
150	10	370	375	479	448	14.56	14.76	18.86	17.64





KROHNE Product Overview

- Electromagnetic flowmeters
- Variable area flowmeters
- Mass flowmeters
- Ultrasonic flowmeters
- Vortex flowmeters
- Flow controllers
- Level measuring instruments
- Pressure gauges
- Temperature measuring instruments
- Water solutions & analysis
- Oil and gas turnkey solutions

Addresses:

Germany

Northern sales office

KROHNE Messtechnik GmbH & Co. KG
Bremer Str. 133
D-21073 Hamburg
Phone: +49 (0)40 767 3340
Fax: +49 (0)40 767 33412
nord@krohne.de
ZIP code: 10000 - 29999, 49000 - 49999

Western and middle sales office

KROHNE Messtechnik GmbH & Co. KG
Ludwig-Krohne-Straße
D-47058 Duisburg
Phone: +49 (0)203 301 416
Fax: +49 (0)203 301 10416
west@krohne.de
ZIP code: 30000 - 34999, 37000 - 48000, 50000 - 53999, 57000 - 59999, 98000 - 99999

Southern sales office

KROHNE Messtechnik GmbH & Co. KG
Landsberger Str. 392
D-81241 Munich
Phone: +49 (0)89 121 5620
Fax: +49 (0)89 129 6190
sued@krohne.de
ZIP code: 0 - 9999, 80000 - 89999, 90000 - 97999

Southwestern sales office

KROHNE Messtechnik GmbH & Co. KG
Rüdesheimer Str. 40
D-65239 Hochheim/Main
Phone: +49 (0)6146 827 30
Fax: +49 (0)6146 827 312
rhein-main@krohne.de
ZIP code: 35000 - 36999, 54000 - 56999, 60000 - 79999

Instrumentation and control equipment catalog

TABLAR Messtechnik GmbH
Ludwig-Krohne-Straße 5
D-47058 Duisburg
Phone: +49 (0)2 03 305 880
Fax: +49 (0)2 03 305 8888
kontakt@tablar.de www.tablar.de

KROHNE sales companies

International

Australia

KROHNE Australia Pty Ltd
Quantum Business Park 10/287
Victoria Rd Rydalmere NSW 2116
Phone: +61 2 8846 1700
Fax: +61 2 8846 1755
krohne@krohne.com.au

Austria

KROHNE Gesellschaft m.b.H.
Modecenterstraße 14
A-1030 Vienna
Phone: +43 (0)1/203 45 32
Fax: +43 (0)1/203 45 32 99
info@krohne.at

Belgium

KROHNE Belgium N.V.
Brusselstraat 320
B-1702 Groot Bijgaarden
Phone: +32 (0)2 4 66 00 10
Fax: +32 (0)2 4 66 08 00
krohne@krohne.be

Brazil

KROHNE Conaut Controles
Automaticos Ltda.
Estrada Das Águas Espraiadas, 230
C.P. 56 06835 - 080 EMBU - SP
Phone: +55 (0)11-4785-2700
Fax: +55 (0)11 4785-2768
conaut@conaut.com.br

China

KROHNE Measurement Instruments
(Shanghai) Co. Ltd., (KMIC)
Room 1501
1033 Zhaojiajiang Road
Shanghai 200030
Phone: +86 21 6487 9611
Fax: +86 21 6438 7110
info@krohne-asia.com

Czech Republic

Krohne CZ, spol. s r.o.
Soběsická 156
63800 Brno
Phone: +420 (0)545.242 627
Fax: +420 (0)545 220 093
brno@krohne.cz

France

KROHNE S.A.S.
Les Ors BP 98
F-26103 ROMANS Cedex
Phone: +33 (0)4 75 05 44 00
Fax: +33 (0)4 75 05 00 48
info@krohne.fr

Great Britain

KROHNE Ltd.
Rutherford Drive
Park Farm Industrial Estate
Wellingborough
Northants NN8 6AE
Phone: +44 (0)19 33 408 500
Fax: +44 (0)19 33 408 501
info@krohne.co.uk

CIS

Kanex KROHNE Engineering AG
Business-Centre Planeta
Office 404 ul.
Marxistskaja 3
109147 Moscow/Russia
Phone: +7 (0)095 911 7165
Fax: +7 (0)095 742 8873
krohne@dol.ru

India

Krohne Marshall Ltd.
A-34/35, M.I.D.C. Industrial Area,
H-Block
Pimpri Poona 411018
Phone: +91 (0)202 744 2020
Fax: +91 (0)202 744 2020
pcu@vsnl.net

Iran

KROHNE Liaison Office
North Sohrvardi Ave. 26,
Sarmad St., Apt. #9
Tehran 15539
Phone: +9821 8874 5973
Fax: +9821 8850 1268
krohne@krohneiran.com

Italy

KROHNE Italia Srl.
Via V. Monti 75
I-20145 Milan
Phone: +39 02 4300 661
Fax: +39 02 4300 6666
info@krohne.it

Korea

KROHNE Korea
Room 508 Miwon Bldg 43
Yoido-Dong Youngdeungpo-Ku
Seoul, Korea
Phone: 00-82-2-782-1900
Fax: 00-82-2-780-1749
mail@krohne.co.kr

Netherlands

KROHNE Nederland B.V.
Kerkeplaat 14
NL-3313 LC Dordrecht
Phone: +31 (0)78 630 6200
Fax: +31 (0)78 630 6405
Service Direct: +31 (0)78 630 6222
info@krohne.nl

Norway

KROHNE Norway A.S.
Ekholtveien 114
NO-1521 Moss
Phone: +47 (0)69 264 860
Fax: +47 (0)69 267 333
postmaster@krohne.no

Poland

KROHNE Polska Sp.z o.o.
ul. Stary Rynek Oliwski 8a
80-324 Gdansk
Phone: +48 (0)58 520 9211
Fax: +48 (0)58 520 9212
info@krohne.pl

Switzerland

KROHNE AG
Uferstr. 90
CH-4019 Basel
Phone: +41 (0)61 638 30 30
Fax: +41 (0)61 638 30 40
info@krohne.ch

Singapore

Tokyo Keiso - KROHNE (Singapore)
Pte. Ltd.
14, International Business Park,
Jurong East
Chiyoda Building, #01-01/02
Singapore 609922
Phone: (65) 6567 4548
Fax: (65) 6567 9874
tks@tokyokeiso-krohne.com.sg

Republic of South Africa

KROHNE Pty. Ltd.
Bushbuck Close
Corporate Park South
Midrand, Gauteng
P.O. Box 2069
Midrand, 1685
Tel.: +27 (0)11 314 1391
Fax: +27 (0)11 314 1681
midrand@krohne.co.za

Spain

I.I. KROHNE IBERIA, S.r.l.
Poligono Industrial Nilo
Calle Brasil, nº. 5
28806 Alcalá de Henares Madrid
Phone: +34 (0)91 883 2152
Fax: +34 (0)91 883 4854
krohne@krohne.es

USA

KROHNE, Inc.
7 Dearborn Road
Peabody, MA 01960
Phone: +1 (800) FLOWING
Phone: +1 (978) 535 6060 (in MA)
info@krohne.com

Representatives

Algeria
Argentina
Cameroon
Canada
Chile
Columbia
Croatia
Denmark
Ecuador
Egypt
Finland
Gabon
Ghana
Greece
Hong Kong
Hungary
Indonesia
Iran
Ireland
Israel
Ivory Coast
Japan
Jordan
Kuwait
Libya
Lithuania
Malaysia
Mauritius
Mexico
Morocco
New Zealand
Peru
Portugal
Romania
Saudi Arabia
Senegal
Slovakia
Slovenia
Sweden
Switzerland
Taiwan
Thailand
Tunisia
Turkey
Venezuela
Yugoslavia

Other countries

KROHNE Messtechnik GmbH & Co. KG
Ludwig-Krohne-Str. 5
D-47058 Duisburg
Phone: +49 (0)203 301 0
Fax: +49 (0)203 301 389
export@krohne.de