



Badger Meter Europa

Oval gear meter Type MN4

for industrial fluids

General

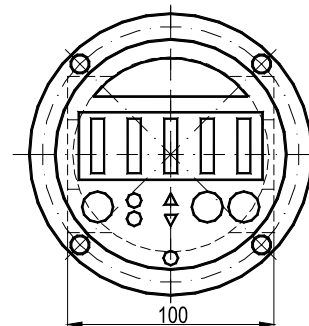
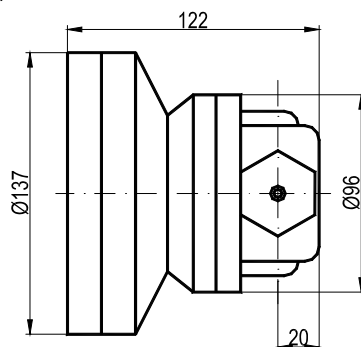
The volumetric meters of the MN-series are working on the oval gear measurement principle and are ideally suited for flow measurement of mechanically pure fluids within a large viscosity range.

Their simple design makes maintenance on site easy. Only two rotative parts are in contact with the fluid.

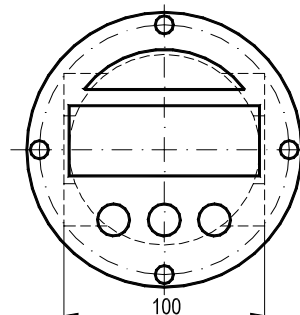
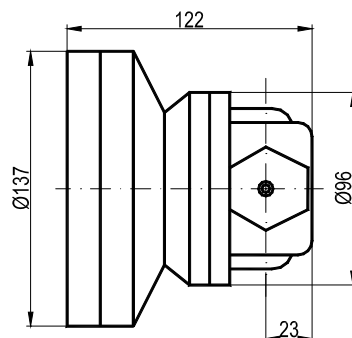


MN 4 with pulse transmitter

MN4 deluxe LC display

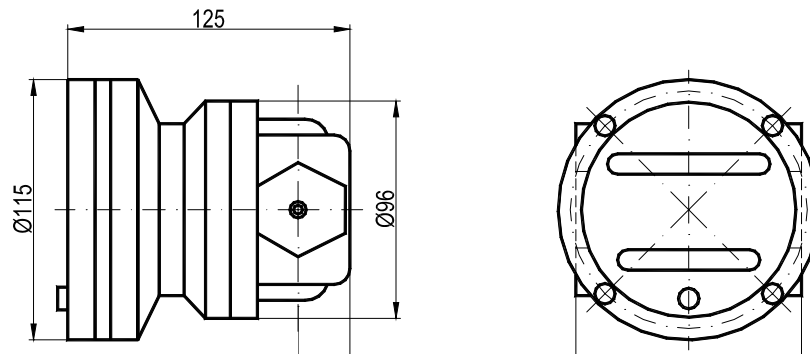


MN4 standard LC display

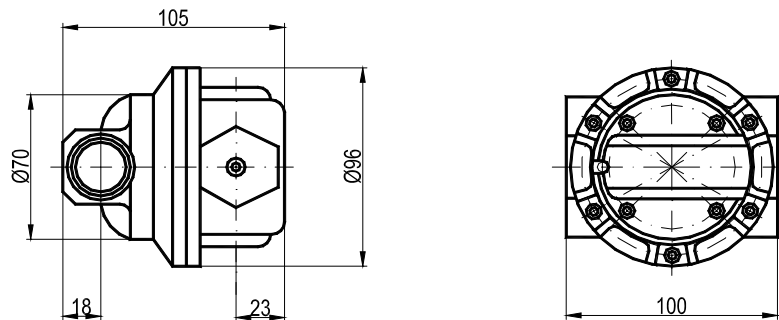


MN4-engl.doc 11/02

MN4 mechanical display



MN4 pulse meter



The type MN4 is available in various models: Aluminium or stainless steel housing with pulse transmitter or mechanic register. This meter is best suited for fluids with a maximum viscosity of 1000 mPas and a maximum pressure of 55 bars.

Technical data

Type	MN4		
Model	with pulse transmitter	with electronic display	with mechanical display
Size	DN 15		
Flow range	under 5 mPas: 180 – 1500 l/h over 5 mPas: 60 – 1800 l/h		
Accuracy	±0,5% of value		±1% of value
Repeatability	0,03%		
Max. viscosity	1000 mPas*		
Max. pressure	55 bars	55 bars	34 bars
Max. temperature	80°C / 120°C		
Pulse rate	112 PPL		
Pulse transmitter	Reedswitch		
Recommended filter unit	0,1 mm		
Register	none	electronic	mechanical**
Process connections	R 1/2"		
Housing material	Alu/316 SS		
Oval gear material	PPS/316 SS		PPS only
Option	Pulse transmitter / hall effect sensor Standard LCD display / Option with EEx-i Deluxe LCD preset meter / Option with EEx-i		

*With special oval gears up to 1.000.000 mPas

**No pulse transmitter in connection with mechanical register